

GRAND PRIX

REPUBLIC OF **Fritz Hansen**[®]

The Grand Prix 3130 design was introduced in 1957 at the Designers' Spring Exhibition (Kunsthåndværkernes Foraarsudstilling) at the Danish Museum of Art & Design in Copenhagen where Fritz Hansen introduced the completely new Arne Jacobsen chair. Later that year, the chair was displayed at the Triennale in Milan where it received the 'Grand Prix' – the finest distinction of the exhibition. After this, the chair has always been called the 'Grand Prix chair'.

Originally, the Grand Prix chair was introduced with a wooden and steel base. Today, the chair is available with a steel base and is an ideal chair with a wide range of applications, such as dining, conference, office and the private home. It is lightweight and stackable and is available in an extensive palette of colours, types of wood and with fabric or leather upholstery.

Design: Arne Jacobsen



GRAND PRIX

REPUBLIC OF **Fritz Hansen®**

ARNE JACOBSEN 1902-1971

Our cooperation with Arne Jacobsen began back in 1934, but the breakthrough came in 1952 with the Ant – a success which was followed up by Series 7 in 1955 and gave his own and Fritz Hansen's names a place in the history of furniture. Arne Jacobsen drew the Grand Prix chair in 1957 when it was introduced at the Designers' Spring Exhibition. That year, it won the Grand Prix award at the Triennale in Milan – hence the name.

Arne Jacobsen was and is an admired and outstanding designer. While not everyone appreciated Arne Jacobsen's buildings, his furniture and other design work have become national and international heritage.



GRAND PRIX

REPUBLIC OF **Fritz Hansen®**

DESIGN

Arne Jacobsen, 1957

DESCRIPTION

Series of chairs for dining, conference, office and the private home. Designed by Arne Jacobsen, manufactured by Fritz Hansen.

FINISH

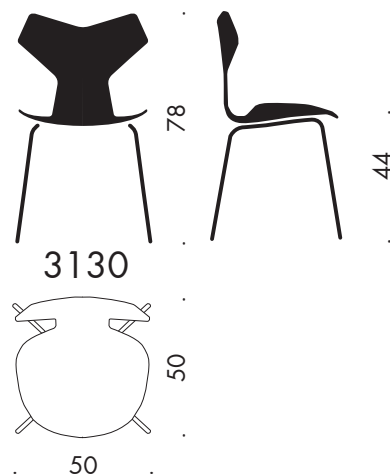
The shell is made of laminated, moulded veneer. The outer veneer is sliced cherry, walnut, maple, ash, beech or dark stained oak with clear lacquer plus coloured ash or painted beech. The 3130 is also available with front upholstery or full upholstery in fabric or leather. The base is made of 14 mm steel tubing with 4 legs with leg ferrules of black-grey synthetic material.

UPHOLSTERY

The chair is available with upholstery in the Kvadrat fabrics Hallingdal, Divina, Divina Melange, Tonus and Topas. The chair is also available with upholstery in the Gabriel Comfort microfibre plus in Standard leather (1 colour), Soft leather (5 colours), Natural leather (1 colour), White leather (2 colours) and Elegance leather (3 colours).

ENVIRONMENTAL FRIENDLINESS AND TESTING

Unupholstered chairs are coated with polyurethane lacquer, which prevents the emission of formaldehyde. For environmental reasons all parts of the chair can be dismantled. The chair is tested according to ISO 7173 for strength and durability and ISO 7174-1 for stability.



GRAND PRIX

REPUBLIC OF **Fritz Hansen**[®]

VARIETIES & DIMENSIONS

Chairs, model 3130, seat height 44 or 46.5 cm, stackable; front upholstered or fully upholstered; chromed or satin chromed base

For further details, please see current price list.

3130 dimensions:

Height:	78 or 80.5 cm
Width:	50 cm
Depth:	52 cm
Seat height:	44, 46.5 or 48.5 cm

WEIGHT

Weight, excluding packaging:

7.8 kg without padding

8.2 kg with padding

Weight, including packaging:

10.5 kg without padding

10.9 kg with padding

PACKAGING

Packaging dimensions:

63 x 65 x 84.5 cm

Packaging volume:

0.346 m³

The chair comes in a cardboard box with a plastic bag over it (does not apply to Denmark).

WARRANTY

Standard goods are warranted for five years against manufacturing defects (i.e. materials and design). Normal wear and tear of the product are not covered by this warranty.

End customer claims under the warranty must be made to the dealer who sold the product. All measurements are indicative.

Fritz Hansen A/S[®] - This documentation and the products and designations shown herein are protected by statute, including the Danish Copyright Act, Trademark Act and Marketing Practices Act, and may not be used without prior written authority from Fritz Hansen A/S. Legal proceedings may be instituted against any parties breaching the rights of Fritz Hansen A/S as a consequence thereof.

HEADQUARTERS: DENMARK - Allerød

SHOWROOMS:

DENMARK - Allerød | GERMANY - Düsseldorf | HOLLAND - Amsterdam | ITALY - Milan | JAPAN - Tokyo | NORWAY - Oslo | SWEDEN - Stockholm | SWITZERLAND - Baar | UNITED KINGDOM - London | U.S.A. - New York

Contact and further information at www.fritzhansen.com